

FlowCon SM1
DN15/20/25 · 1/2", 3/4", 1"

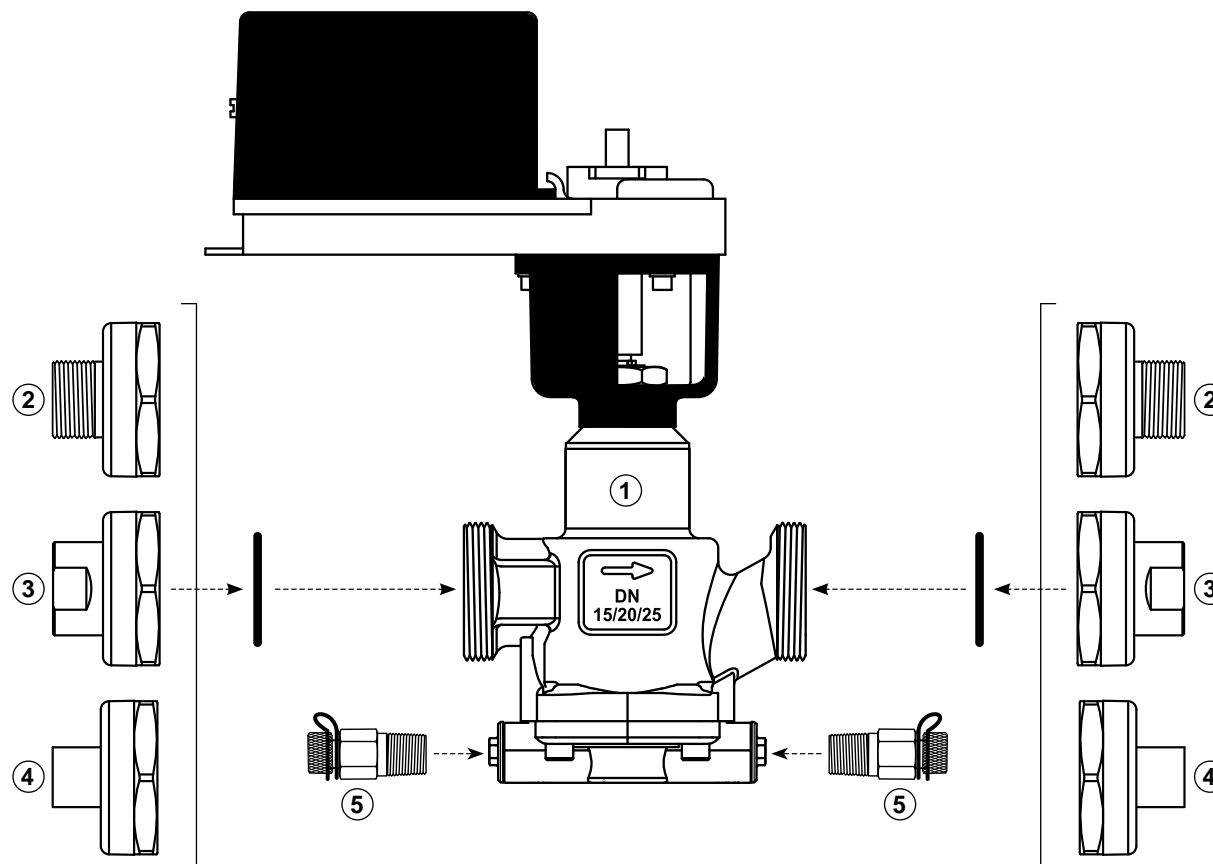
No. Reference no. Description

Valve body and actuator

- | | | |
|---|------------|---------------------------------------------------|
| ① | SM.1.1.P.0 | Valve body incl. plugs and brush/display actuator |
|---|------------|---------------------------------------------------|

Accessories

- | | | |
|---|--------------|--------------------------------------------|
| ② | 1C000xx | Male union end conn. 15-25mm (1/2"-1") |
| ③ | 1C000xx | Female union end conn. 15-20mm (1/2"-3/4") |
| ④ | 1C000xx | Sweat union end conn. 15-22mm |
| ⑤ | 2 x ACC00101 | P/t plugs |



FlowCon SM2
DN25/32/40 · 1", 1 1/4", 1 1/2"

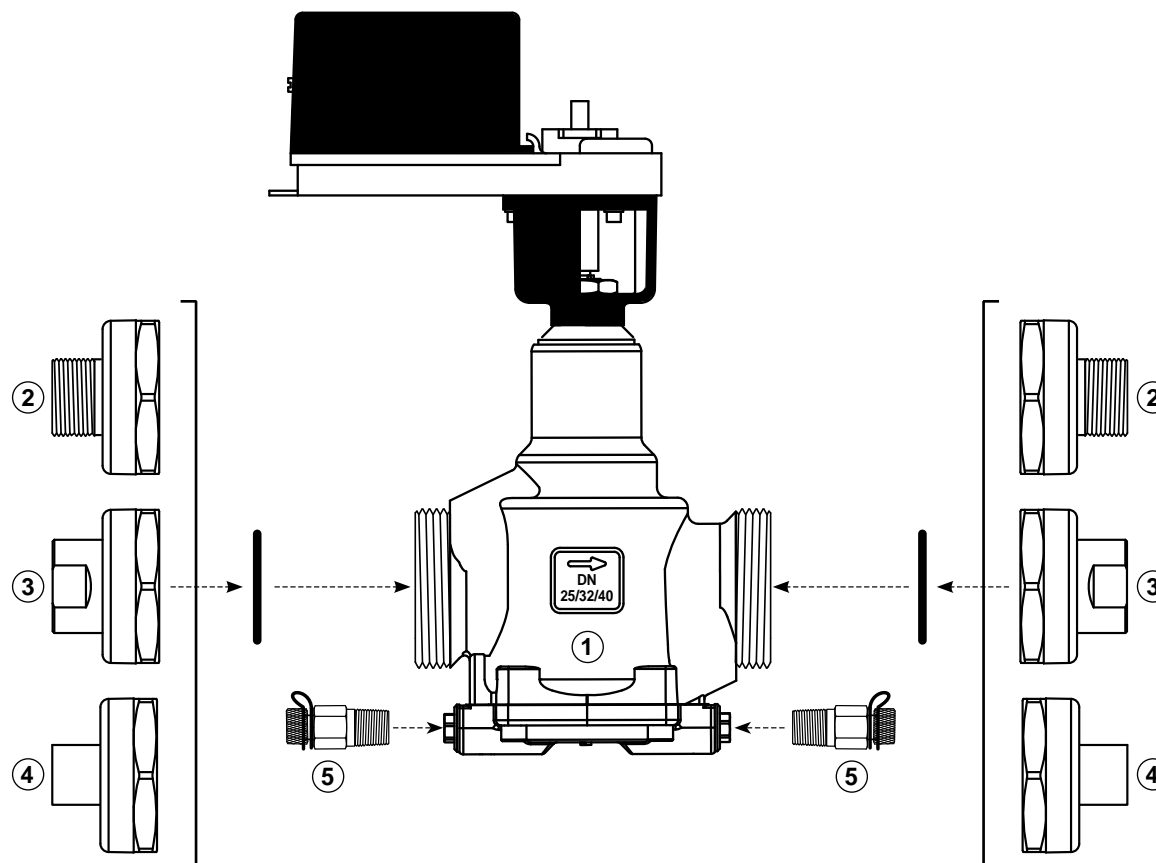
No. Reference no. Description

Valve body and actuator

- | | | |
|---|------------|---------------------------------------------------|
| ① | SM.2.1.P.x | Valve body incl. plugs and brush/display actuator |
|---|------------|---------------------------------------------------|

Accessories

- | | | |
|---|--------------|------------------------------------------------|
| ② | 1C000xx | Male union end conn.:
25-40mm (1"-1 1/2") |
| ③ | 1C000xx | Female union end conn.:
25-40mm (1"-1 1/2") |
| ④ | 1C000xx | Sweat union end conn.:
28-35mm |
| ⑤ | 2 x ACC00101 | P/t plugs |



FlowCon SM3/SM4/SM5
DN50-150 · 2"-6"

No. Reference no. Description

Valve body

- ① SM3.x.B.x Valve body incl. p/t plugs and snap ring
- ② SM4.x.B.x Valve body incl. p/t plugs and snap ring
- ③ SM5.x.B.x Valve body incl. p/t plugs and snap ring

Actuator

- ④ SM.0.0.0.x Electrical actuator

Accessories

- ⑤ 1A30301 Snap ring

